



March 12, 2019

Steve Olson, 386-943-5479
steve.olson@dot.state.fl.us

Detour on W. Moody Blvd. / SR-11 at Railroad Crossing

Bunnell – Motorists will encounter a four day-long detour on W. Moody Blvd. at the railroad crossing beginning at about 6 a.m., Saturday, March 16 until about 6 a.m., Wednesday, March 20 for surface reconstruction work at the railroad crossing.

Traffic will be detoured to Dupont Road (for trucks), N. Bay St. and US-1.

The Florida Department of Transportation (FDOT) is providing project support to Florida East Coast Railway, LLC., so they can safely conduct the work.

For more information about the project, contact Mr. Leslie Schonder with the Florida East Coast Railway, LLC at 904-279-3196.

Motorists should be alert for construction personnel and equipment along the construction corridor. Motorists are urged to use caution and drive with care.

The FDOT reminds motorists to slow down and alertly drive through construction areas.

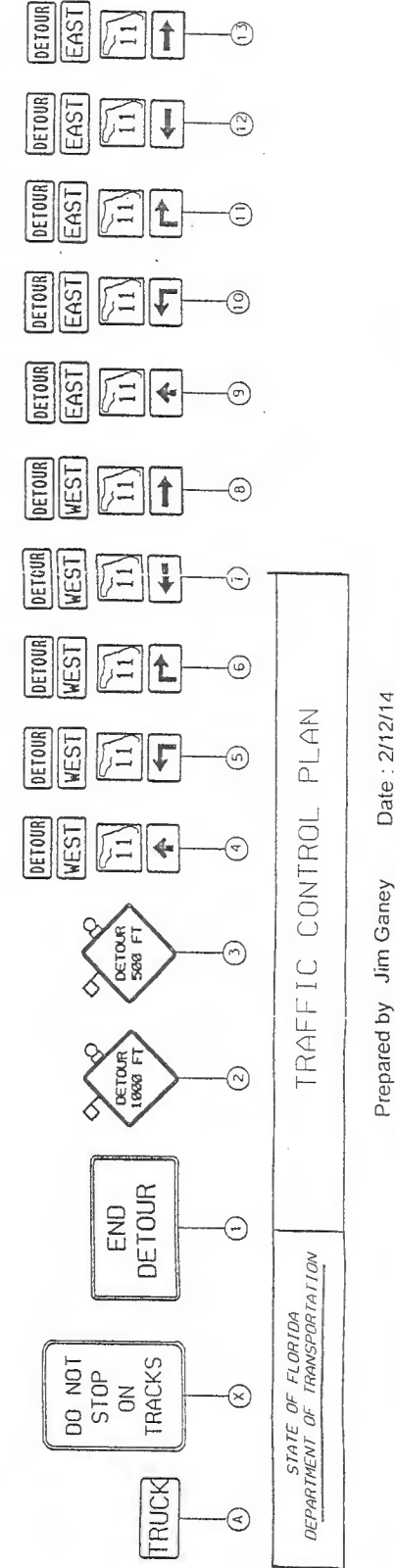
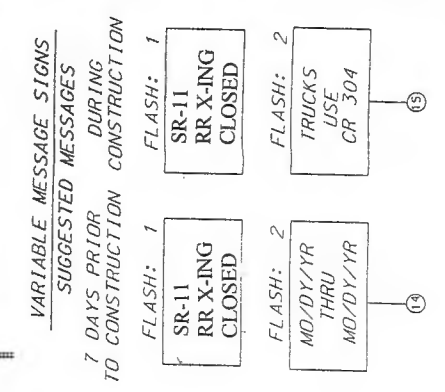
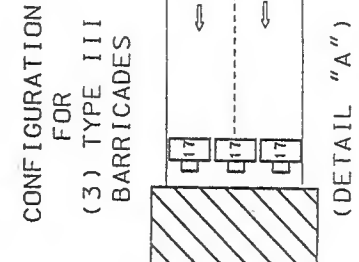
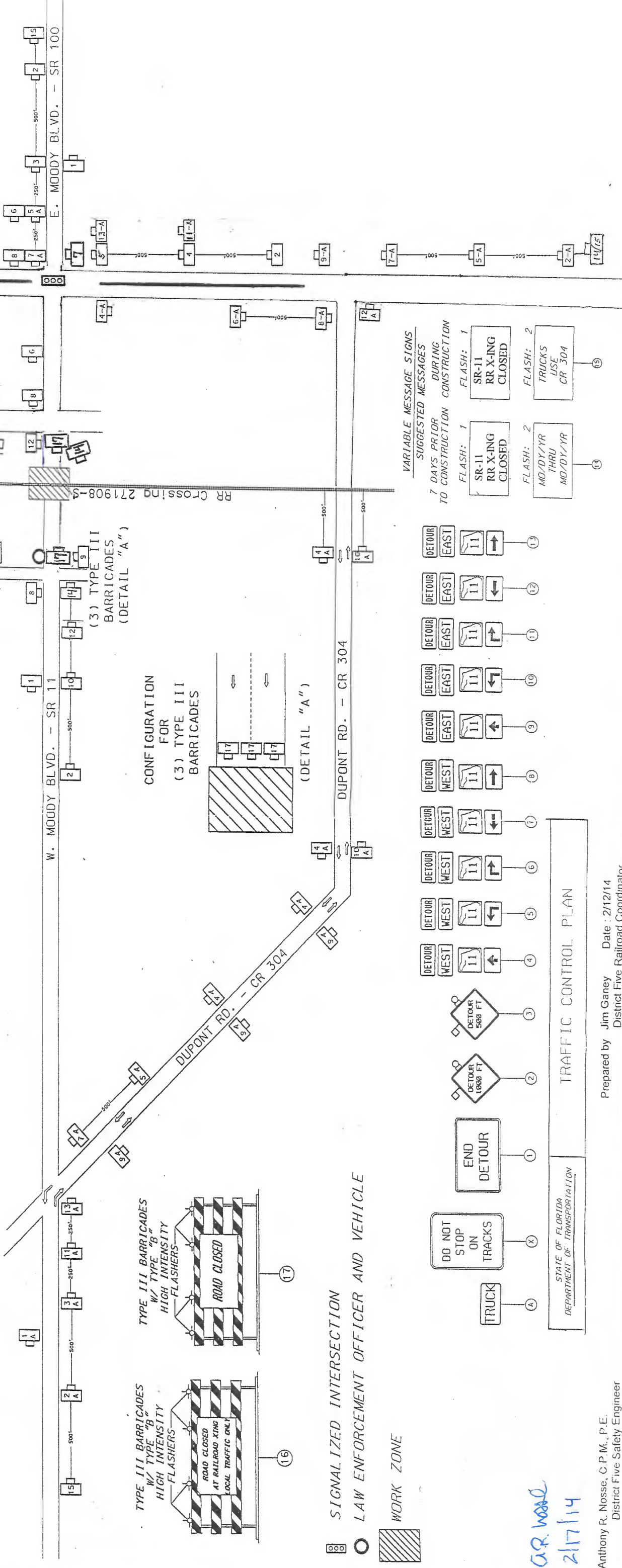
CFLRoads.com | [@MyFDOT_CFL](https://www.facebook.com/MyFDOTCFL) | [Facebook.com/MyFDOTCFL](https://www.facebook.com/MyFDOTCFL)

W. MOODY BLVD. - SR 11 DETOUR PLAN

RAILROAD CROSSING NO.	SECTION	SHEET NO.
271908-S	73050	1 OF 1

TRAFFIC CONTROL PLAN

- 1) TRAFFIC SHALL BE MAINTAINED WITH FOOT ROADWAY AND TRAFFIC DESIGN STANDARDS. INDEX 600 SERIES.
- 2) LANE CLOSURES SHALL BE COORDINATED WITH COUNTY AND CITY OFFICIALS.
- 3) OFF DUTY LAW ENFORCEMENT OFFICERS SHALL BE PROVIDED DURING ALL LANE CLOSURES.
- 4) VARIABLE MESSAGE SIGNS SHALL BE PLACED ONE WEEK PRIOR TO CONSTRUCTION TO INFORM MOTORISTS OF UPCOMING PROJECT AND TO BE UTILIZED DURING ALL LANE CLOSURES.
- 5) ACCESS TO THE COMMERCIAL BUSINESSES ALONG THIS SECTION MUST BE MAINTAINED THROUGHOUT THE PROJECT.
- 6) SIGN LOCATIONS MAY BE ADJUSTED BY THE PROJECT ENGINEER BASED ON ACTUAL SITE CONDITIONS.



SIGNALIZED INTERSECTION
LAW ENFORCEMENT OFFICER AND VEHICLE

WORK ZONE

STATE OF FLORIDA
DEPARTMENT OF TRANSPORTATION

TRAFFIC CONTROL PLAN

A.R. Wood
2/17/14